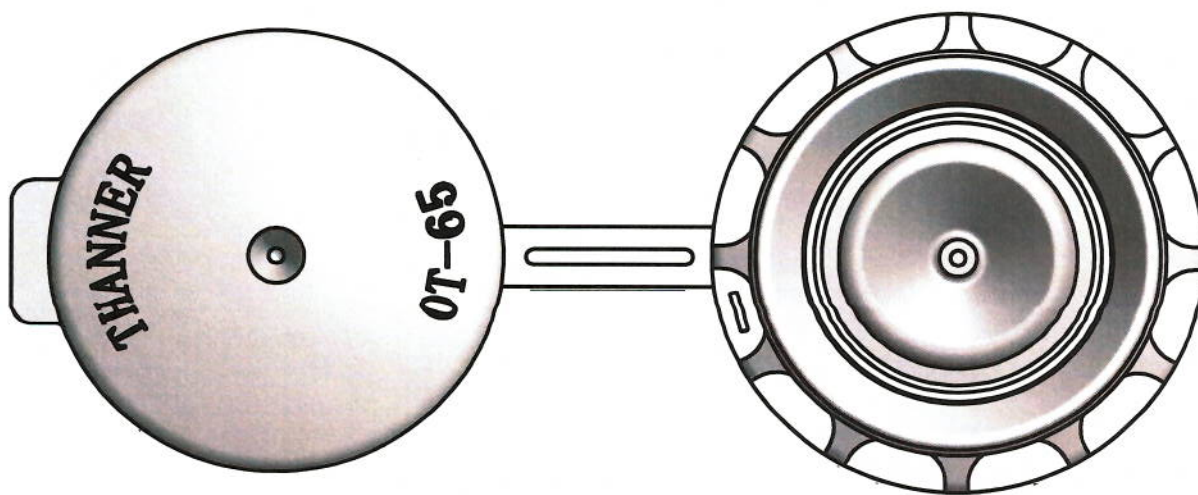
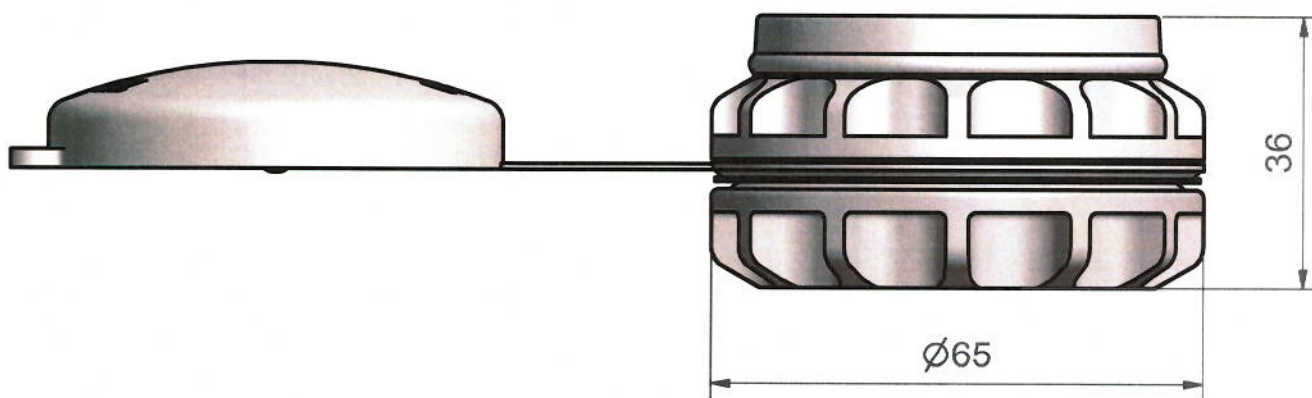


colourcodes:	Nominel closing pressure options:	Production test Tolerances for Thanner
Brown	110 mm HG -0.15 bar.	
White	120 mm HG -0.16 bar.	-5 +10%
Red	180 mm HG -0.24 bar.	
Yellow	150 mm HG -0.20 bar.	Functional Tolerances for users
Black	220 mm HG -0.3 bar.	
Lilla	165 mm HG -0.22 bar.	
Green	26 mm HG -0.035 bar.	
Blue	52 mm HG -0.07 bar.	
		-5 +20%



Weight 91g.

Thanner A/S DK-6700 Esbjerg, Denmark. Phone:(+45)75130066 Fax:(+45)75452993 E-mail admin@thanner.dk Web site www.thanner.dk Copyright claimed by Thanner A/S		Art Thanner OTS-65	
		Detail Pressure relife valve	
D		Name. ASM	Date 29-02-2016
C		App. 	Date 29 FEB. 2016
B		Scale. 1:1	Dwg.No. 65-008
A			
	Modification.	Date	