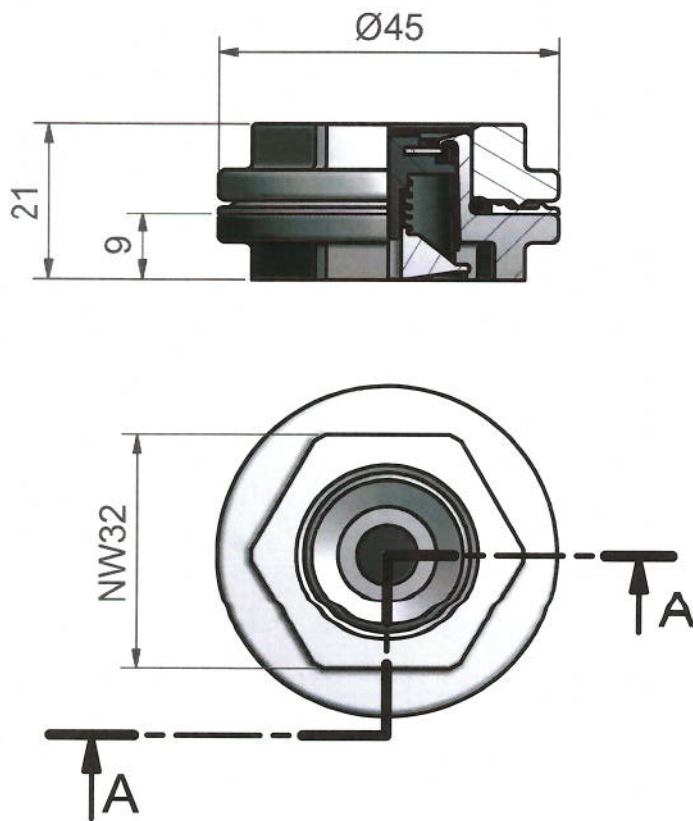


Colourcodes:	Nominel closing pressure options:		Production test tolerances for Thanner -5+10%
Brown.	110mm HG	-0.145bar	
White.	120mm HG	-0.158bar	
Yellow.	150mm HG	-0.20 bar	
Lilla.	165mm HG	-0.22 bar	
Red.	180mm HG	-0.24 bar	Functional Tolerances for users -5 +20%
Black.	220mm HG	-0.29 bar	
Blue.	1 PSI	-0.07 bar.	
Orange.	1/2 PSI	-0.035 bar.	
Red/Yellow	1.3 PSI	-0.09 bar.	
Green/Yellow	2.5 PSI	-0.17 bar.	
Green.	5.6 PSI	-0.4 bar.	
Blue&Green.	7 PSI	-0.5 bar.	

Ⓐ

Ⓑ



Hole in fabric $\varnothing 22\text{mm}$
 Assembly drawing 45-026

Weight 0,025 kg

Thanner A/S DK-6700 Esbjerg, Denmark. Phone:(+45)75130066 Fax:(+45)75452993 E-mail admin@thanner.dk Web site www.thanner.dk Copyright claimed by Thanner A/S		Art Overtryk/OTS 45/Relife Valve	
		For Clamping Detail	
D		Name. AL	Date 30-07-1997
C		App. 	Date 01 OKT. 2013
B	tegnet i inventor/ 7 PSI farve lavet om		
A	tekst tilf.	29-01-2008	
Modification.		Date	Scale. 1:1
			Dwg.No. 45-000