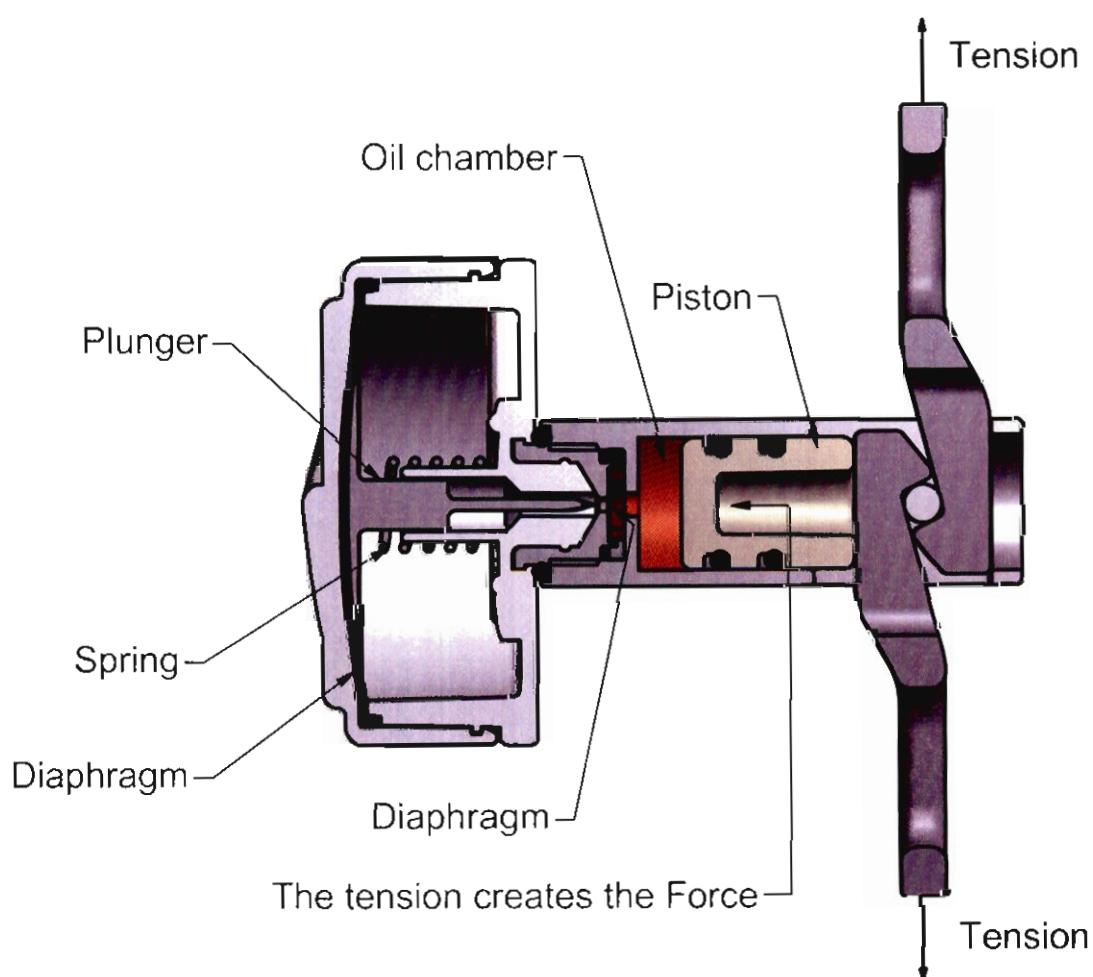


Thanner Disposable HRU

When the water pressure overcomes the spring force min1,5 meters - max 4 meters, the plunger will penetrate the diaphragm and the pressurised oil will pass into the spring chamber. The piston moves in and allows the two links to separate. The raft is free and only the painter line connected to the weak link.

Models:

DK 2010	4 years	Part no. 85-190
DK 2010E	4 years	Part no. 85-170
DK2011	4 years	Part no. 86-045



Thanner A/S

Phone (45) 75130066

Email Admin@thanner.dk

16.11.2015 85-084